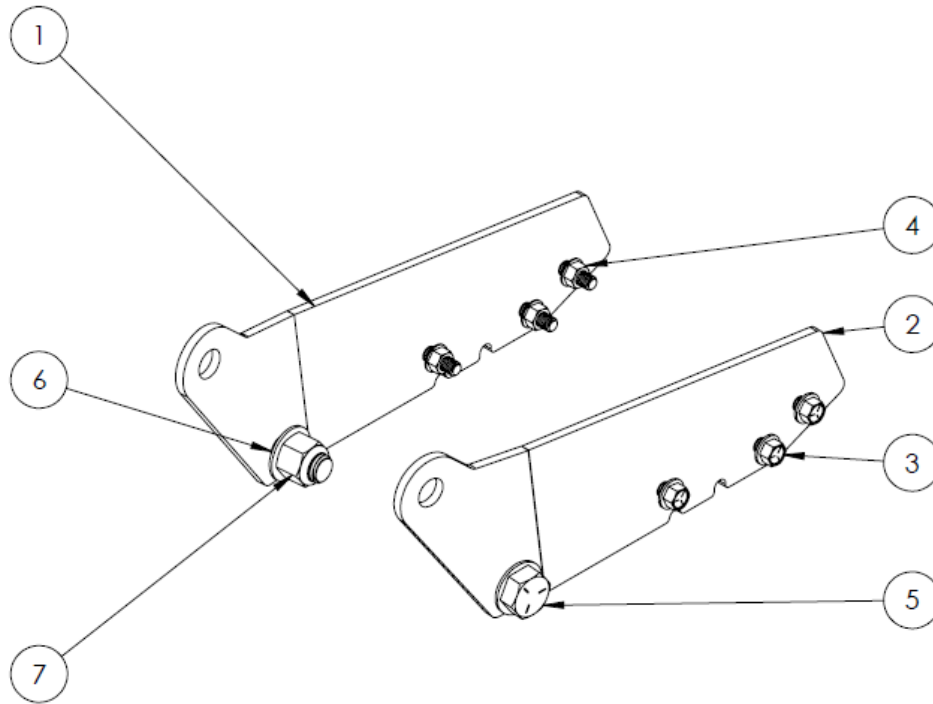




23001 Industrial Blvd, Rogers, MN 55374 / 1-866-527-7637 www.motoalliance.com

DENALI Pushtube Lift Kit PTUTLIFT2/PTUTLIFT4



Kit Content:

Item #	Description	Qty
1	PTUTLIFT2/4-1	1
2	PTUTLIFT2/4-2	1
3	3/8"-16 x 1.25 Serrated Flange Bolts	6
4	3/8"-16 Serrated Flange Nuts	6
5	3/4"-10 x 1.75" Hex Head Bolt	2
6	3/4" Flat Washer	4
7	3/4"-10 Nylock Nut	2



Installation:

The DENALI UTV Pushtube Lift Kit bolts directly on to your DENALI UTV Pushtube. To maintain the appropriate width, install the Pushtube Lift Kit with one plate on the inside of the pushtube and one plate on the outside (as shown below).

Use the $\frac{3}{4}$ " Quick Release Pins provided with your DENALI UTV Pushtube to connect your Pushtube Lift Kit to your DENALI UTV Plow Mount.



Assembled View