



22000 Suite 250 Industrial Blvd, Rogers, MN 55374 / 1-866-527-7637  
[www.motoalliance.com](http://www.motoalliance.com)

## VIPER Winch Mount

MA11941

## Polaris PRO XP Winch Mount

Thank you for purchasing our VIPER winch mount. You now own a premium custom winch mount which allows you to use your winch with your UTV / SxS. Please note the following instructions and heed all warnings.

- Please use common sense when operating your UTV / SxS
- Read your Winch Operators Manual and all other operator manuals, including warning labels, before operating your UTV / SxS
- Be observant of moving parts causing entanglement, use extreme caution!

**SEVERE INJURY OR DEATH MAY RESULT IF YOU ARE NEGLIGENT.**

MA11941

VIPER Polaris PRO XP Winch Mount



**motoalliance**

23001 Industrial Blvd

Rogers, MN 55374

866.527.7637

Please verify that all hardware and parts are included in your package.

**Kit Contents:**

Item	Description	QTY
1	MA11941-W1 Main Mount Plate	1
2	MA11941-2 Fairlead Plate	1
3	MA11226-1 (only for use with a standard spool winch)	1
4	7/16" Flat Washer	4
5	7/16"-14 x 1.5" Hex Head Bolt	2
6	7/16"-14 Nylock Nut	2
7	M10-1.5 x 25mm Socket Head Bolt (only for use with a standard spool winch)	2

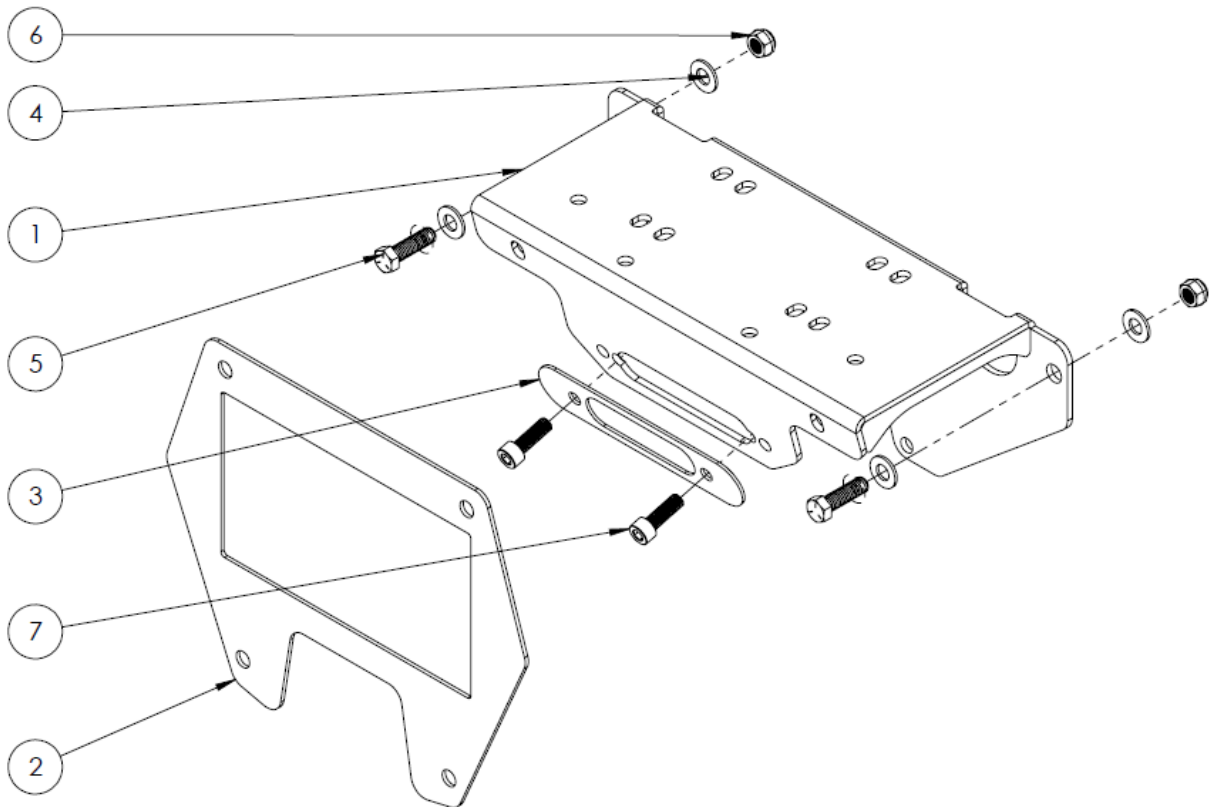


Figure 1

**MA11941**

**VIPER Polaris PRO XP Winch Mount**



**motoalliance**

23001 Industrial Blvd

Rogers, MN 55374

866.527.7637

1. Using a T40 torx bit, remove the front fascia and set the hardware aside for future use.



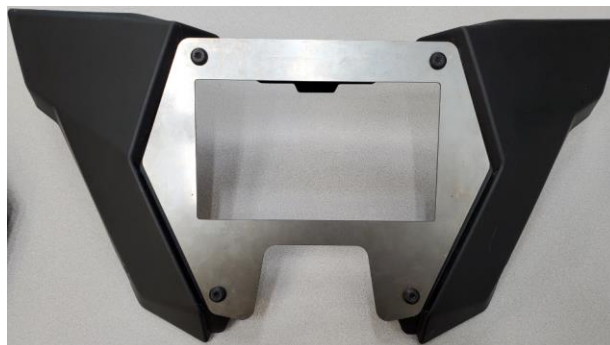
**Figure 2**

2. Using a T40 torx bit remove the front plate from the fascia.



**Figure 3**

3. Replace the front plate with MA11941-2 using the hardware removed in Step 2.



**Figure 4**

**MA11941**

**VIPER Polaris PRO XP Winch Mount**



**motoalliance**

23001 Industrial Blvd

Rogers, MN 55374

866.527.7637

- Using a 15mm socket, remove the front bumper and supports. Set this hardware aside to use later.



**Figure 5**

- Using a 13mm socket, remove the front bumper from the supports. Set this hardware aside to use later.



**Figure 6**

- Using the hardware supplied with your winch, install the winch and fairlead onto MA11941-1.

MA11941

VIPER Polaris PRO XP Winch Mount



**motoalliance**

23001 Industrial Blvd

Rogers, MN 55374

866.527.7637

**Note:** If you have a standard spool winch (3" x 4.875" bolt pattern) use MA11226-1 as a back plate. Otherwise, set aside and do not use.



Figure 7

7. Install the front bumper onto MA11941-W1 using the hardware set aside earlier.



Figure 8

MA11941

## VIPER Polaris PRO XP Winch Mount



**motoalliance**  
23001 Industrial Blvd  
Rogers, MN 55374  
866.527.7637

- Lift the mount into the space vacated by the bumper support brackets.

**Note:** The winch is removed in Figure 9 for clarity of mounting location.



**Figure 9**

**Note:** It would be helpful, but not necessary, to have a second set of hands to hold the mount in place while bolting the winch mount and winch to the machine

- Use the 7/16" hardware to secure the top of the mount plate to the two outside holes. But do not tighten down at this time.
- Using two of the bolts set aside in Step 4, secure the bottom of the mount plate.
- Verify that the winch and mount are square and secure and tighten down all hardware.
- Follow the instructions for wiring up your winch included in your winch manual.
- Most installations will use the OEM contactor mounting location on the passenger's side firewall.

**MA11941**

**VIPER Polaris PRO XP Winch Mount**



**motoalliance**

23001 Industrial Blvd

Rogers, MN 55374

866.527.7637

14. Reinstall the front fascia over the winch mount.



15. Recheck and tighten down all hardware after the first couple times driving your machine and before every winching season as the frame may have flexed causing the hardware to loosen.