



23001 Industrial Blvd, Rogers, MN 55374 / 1-866-527-7637
www.motoalliance.com

DENALI Plow Mount

MA11199

Universal ATV Plow Mount

Kit Contents:

Part #	Qty	Description
1	1	MA11199-1 Plow Mount
2	4	MA11199-3 1.875" Mounting Tab
3	4	MA11199-4 2.125" Mounting Tab
4	4	MA11199-5 2.375" Mounting Tab
5	4	3/8" x 1.50" ID U-Bolt -3043T632
6	4	3/8" x 1.75" ID U-Bolt -3043T633
7	4	3/8" x 2.00" ID U-Bolt -3043T634
8	8	3/8" Serrated Flange Nut

MA11199

DENALI Universal ATV Plow Mount



motoalliance

23001 Industrial Blvd

Rogers, MN 55374

866.527.7637

Tips for installation:

Begin by removing the skid plate from your vehicle.

When installing the Denali Universal Plow Mount, the mount should be placed approximately 2 feet from the front of the vehicle.

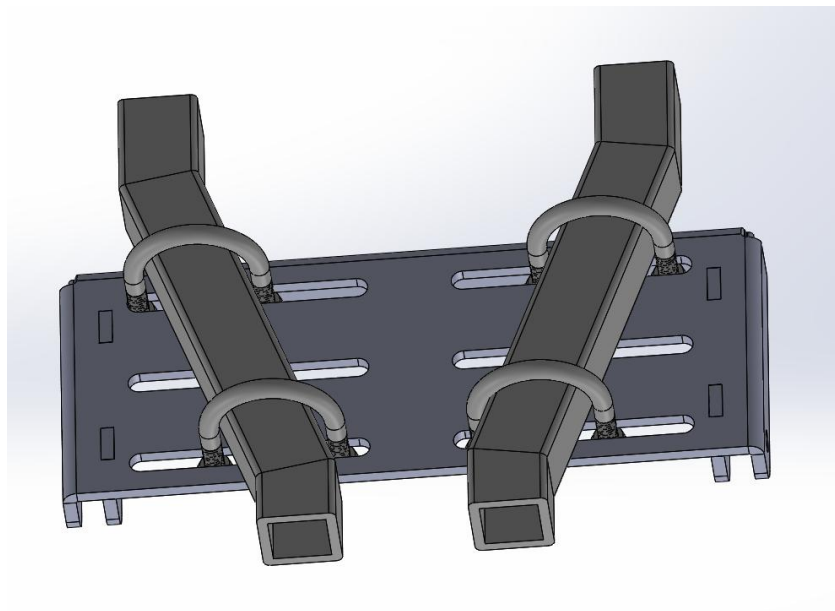
Included in your kit are three sizes of U-bolts, use the set that most securely fits around the frame of your vehicle, it may be necessary to mix and match sizes.

Ideally two U-bolts will be used to secure the mount front to back and the other two secure the mount side to side.

If you want to reinstall the skid plate:

After the mount is correctly secured, lift the skid plate into place and mark the location of the Ubolts in the skid plate and drill the holes out.

Remove the mount plate and reinstall the skid plate. Hang the U-bolts over the frame and through the skid plate. Reinstall the mount plate.



MA11199

DENALI Universal ATV Plow Mount



motoalliance
23001 Industrial Blvd
Rogers, MN 55374
866.527.7637

